

2761 Monobolt

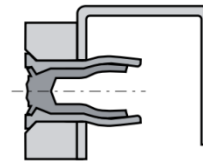
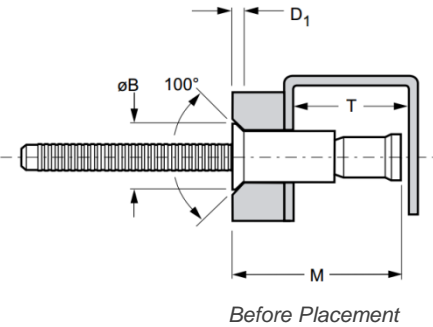
Countersunk head · Steel body · Steel stem · Multi-grip
4.8 mm (3/16") - 6.4 mm (1/4")

Features

- Multi-grip structural breakstem fastener
- Fully sealed joint and visible lock for quick and easy inspection
- Excellent hole fill via radially expanded body provides very strong, vibration resistant joints and compensates for irregular, oversized, slotted or misaligned holes
- Good sheet take-up performance for large gap closing capability
- Stem mechanically locked into body avoids damage, electrical problems or rattling caused by loose stems
- High shear and tensile strength

Material

- Body: Steel, zinc plated, clear trivalent passivated
- Stem: Carbon boron steel, zinc plated, clear trivalent passivated



Part No.	Size ø	Grip Range		Hole Size		M	øB	D ₁	T	Shear (typical) kN	Tension (typical) kN
		nom.	min.	max.	min.						
02761-00615	4.8 (3/16")	3.17	8.41	4.9	5.1	20.0	8.3	2.2	10.5	6.44	5.11
02761-00619			12.22			26.3			13.5		
02761-00821	6.4 (1/4")	3.17	12.07	6.6	7.0	26.4	10.1	2.4	12.2	11.78	10.45



Can't find what you are looking for?

We can provide customized finishing and colouring.
Contact your nearest [Gripwell](http://www.gripwell.com) team for assistance!